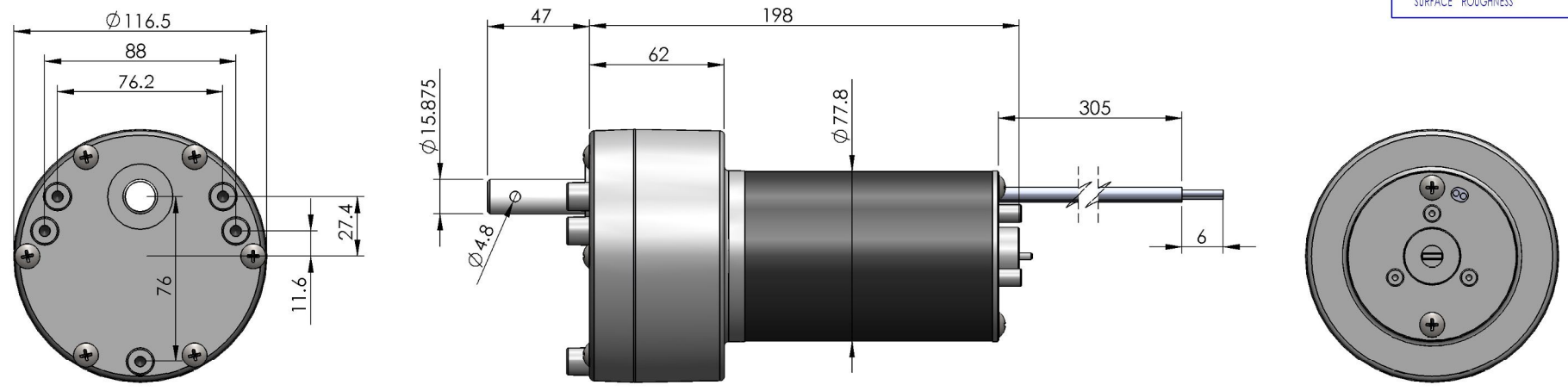


UNLESS OTHERWISE SPECIFIED
DIMENSIONS ARE IN INCHES

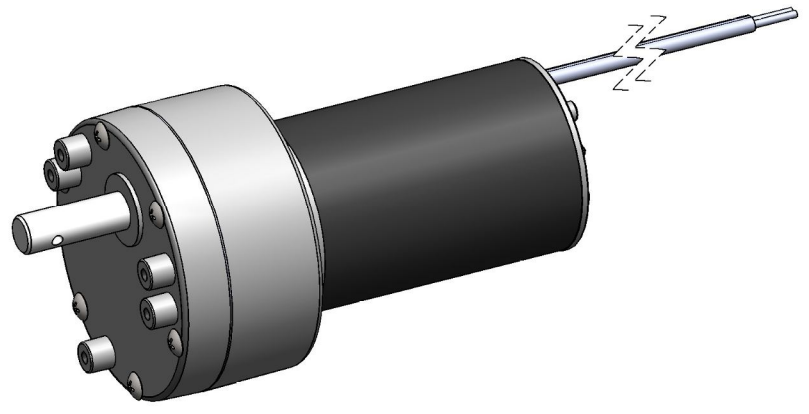
SURFACE FINISH:
REMOVED ALL BURRS
AND SHARP EDGES
SURFACE ROUGHNESS

25 ✓



Specification:

- 1.Voltage:DC12 V
- 2.At No-load(motor/ccw): Speed:5650±300RPM
Current:5.0A down
- 3.At On-load(175 inch pounds/202Kg.cm):Current:30A down
- 4.Out shaft speed:5650±300/59.4(i)=95±5.0RPM
- 5.Don't lock motor rotor
- 6.Direction of rotation:CW
When viewing gearbox outshaft side with positive voltage applied to red lead wire
- 7.Lead wire:14AWG,UL&CSA Approved
- 8.Start Voltage: 6V down(25°C)
- 9.High pot Test: 1000V/5mA/1s
- 10.Noise(enviroment noise 55dB below,75mm distance)
At No-load:75dB below
At On-load:84dB below



CONFIDENTIAL AND PROPRIETARY							PART NO.							
THIS IS THE PROPERTY OF ADACEL. IT MUST NOT BE TRADED OR REPRODUCED IN ANY MANNER. NOR SHALL IT BE SUBMITTED TO OUTSIDE PARTIES FOR EXAMINATION WITHOUT OUR CONSENT. IT SHALL BE USED AS A MEANS OF REFERENCE TO DO WORK DESIGNED OR FURNISHED BY US.							PART NAME		P1DB1259					
							WEIGHT		9		REV.			
							QUANTITY		1		SHEET		1 OF 1	
							SCALE		1:10		TOLERANCES ARE			
MARK	NUMBER	DIVISION	ECO NO.	SIGNATURE	DATE	MATERIAL								
DESIGN				D A										
CHECK				APP'VD										
				DATE										
							Adacel Technologies Ltd.							
							UNLESS OTHERWISE SPECIFIED							
							TOLERANCES ARE							
							LINEAR		0-2 ±0.2					
									2-5 ±0.5					
									5-12 ±0.75					
									>12 ±1					
							ANGULAR		>12 ±1					